

Thermicroll

Spiral ISO 50

The top of the range between insulated doors Thermicroll® provides the best performance in terms of speed, security and isolation, combined with an attractive aesthetic look; it is suitable for both inside and outside applications.



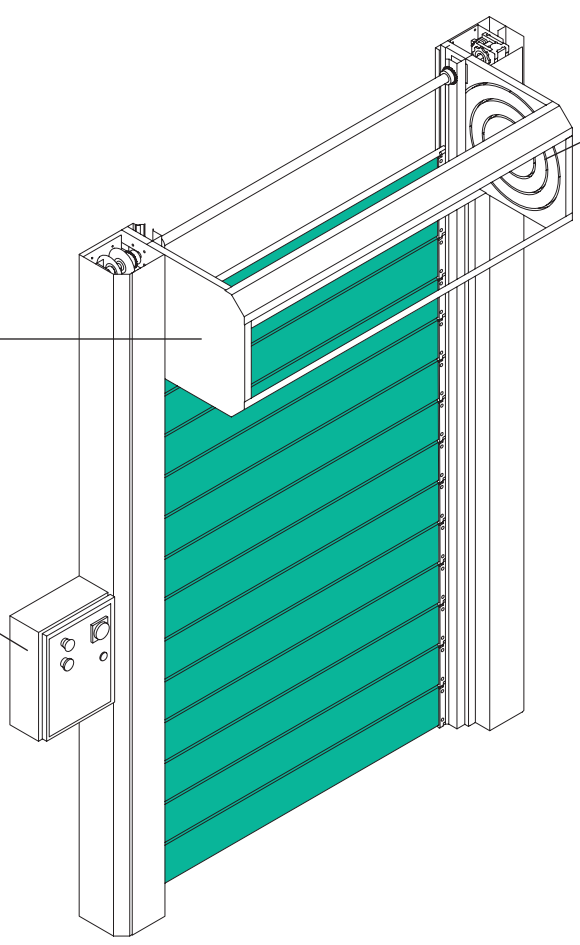
Operating temperature

-5°C
+40°C

Encoder

Control panel

Easy opening



Spiral wrap

Wind resistance

170 Km/h

K termic

1,5 W/m²K

Opening speed up to 2 m/s

STANDARD COLORS

- RAL 9010 SIMIL
- RAL 9006 SIMIL

INSIDE COLOR

- RAL 9006 SIMIL

OUTSIDE COLORS

- RAL 9010 SIMIL
- RAL 9006 SIMIL
- RAL 7015 SIMIL
- RAL 5010 SIMIL
- RAL 1003 SIMIL
- RAL 3000 SIMIL

APPLICATION FIELDS

RETAIL	INDUSTRY	LOGISTIC	REFRIGERATION	GARAGE	AIRPORT	PORT	GENERAL USE

PARAMETERS	TECHNICAL AND OPERATING SPECIFICATIONS	
APPLICATION	Inside and outside	
MAX CLEAR DIMENSIONS	6500 x 6500 mm	
OPENING SPEED	Up to 2 m/s (depending on the size)	
CLOSING SPEED	~ 0,5 m/s	
K THERMIC	~ U = 1,5 W/m ² K (depending on the size)	
ACUSTIC	22 Db	
WATER PERMEABILITY	Class 3	
WIND PERMEABILITY	Class 3	
OPERATING TEMPERATURE	-5°C +40°C	
WIND RESISTANCE	CLASS	
L/H 3000 x 3000 mm	4	
L/H 5000 x 5000 mm	3	
L/H 6000 x 5000 mm	3	
STRUCTURE	STANDARD Galvanized steel	OPTIONAL Epoxy powder painted steel RAL
CURTAIN 50 mm	STANDARD OUTSIDE/INSIDE: pre-painted aluminium in standard RAL colors	OPTIONAL OUTSIDE: RAL pre-painted aluminium / steel
SPIRAL WRAP	Patented, in high density polyethylene PEHD 500	
GUIDES	Patented, in high density polyethylene PEHD 500	
CONTROL PANEL	Inverter 380 V with microprocessor	
POWER SUPPLY	400 V	
FREQUENCY	50/60 Hz	
LIMIT SWITCH	Encoder	
GEAR BOX / ENGINE	Asynchronous motorized with electric brake 110 V for intensive use high frequency	
EMERGENCY OPENING	STANDARD Manual crank release (counterweight)	OPTIONAL Manual chain release / UPS battery
SAFETY EDGE (EN 13241)	STANDARD Integrate in photocells barriers	OPTIONAL Anti-crushing sensor
WIRING	Waterproof IP 69 plug and play	
PHOTOCELLS	With 22 rays activated up to a height of 2500 mm	
DURABILITY	3,000,000 open/close cycles with standard maintenance every 6 months or every 150.000 cycles	

DIMENSIONS

